

Play it safe



Pro modules

Illustration only

Pro M2 mono

185 W ▪ 190 W ▪ 195 W ▪ 200 W

- Guaranteed high yields
- 10-year product warranty
25-year performance warranty
- Manufactured according to premium quality standards

Pro M2 mono

Electrical data under STC (Standard Test Conditions: 1000 W/m², 25 °C, AM 1.5)

Parameter	Symbol	185 W	190 W	195 W	200 W
Rated power	P_{max}	185 W	190 W	195 W	200 W
Sorting limits of performance		0/+5 W	0/+5 W	0/+5 W	0/+5 W
Voltage	U_{MPP}	36.42 V	36.50 V	36.94 V	37.39 V
Open circuit voltage	U_{OC}	45.05 V	45.20 V	45.28 V	45.50 V
Current	I_{MPP}	5.08 A	5.21 A	5.28 A	5.35 A
Short-circuit current	I_{SC}	5.41 A	5.53 A	5.58 A	5.79 A
Efficiency		14.5 %	14.9 %	15.3 %	15.7 %

Temperature data

Power temperature coefficient	$T_K(U_{OC})$	-0.31 %/K
Voltage temperature coefficient	$T_K(I_{SC})$	0.05 %/K
Current temperature coefficient	$T_K(P_{MPP})$	-0.41 %/K

Further information

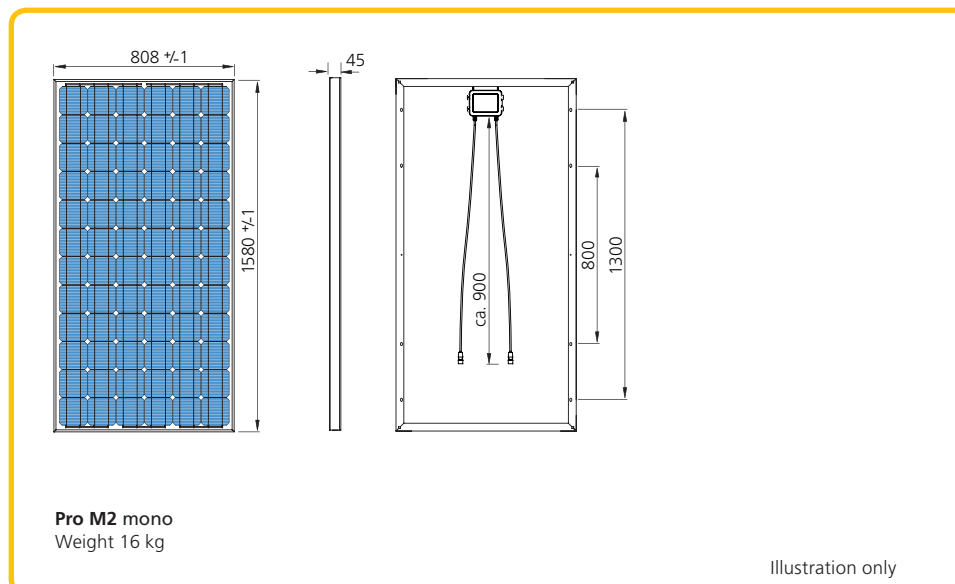
Number of cells	72
Max. system voltage	1000 V
Reverse current loading capability	15 A
Front cover	Special hardened low-iron glass
Module connection	Connection box with 3 bypass diodes ca. 90 cm cable, Ø 4 mm ²
Snow load* Load tested according to EN IEC 61215 (ed. 2)	5400 Pa $\hat{=}$ 550 kg/m ²

Our general warranty conditions apply, but in derogation of point 2, the product warranty shall run for ten (10) years and in derogation of point 1.1 the performance warranty shall run 90% for 12 years and 80% for 25 years. The remaining terms and conditions shall remain unaffected.

Subject to technical modifications with corresponding follow-up certifications.

Certifications

EN IEC 61215 (ed. 2)	pending
EN IEC 61730-1, -2	pending
Protection class II	



Distribution by



www.sat-solar.ch
Tel: +41 (0)716693750
sales@sat-solar.ch